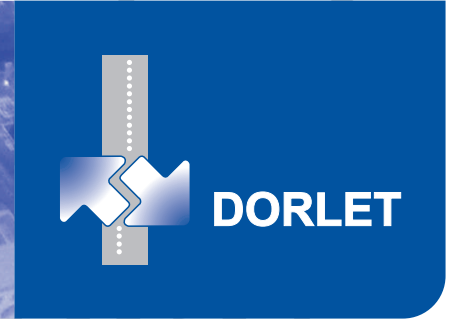
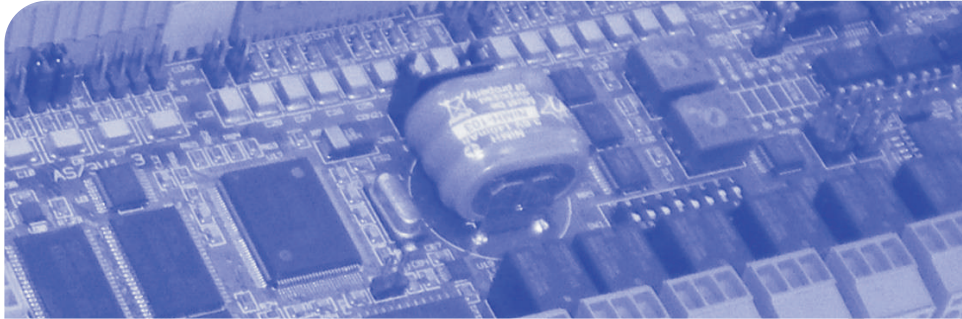


# ASD 32 INPUTS EXTENSION BOARD

SUPERVISED INPUTS EXTENSION BOARD FOR ASD SERIES CONTROLLERS

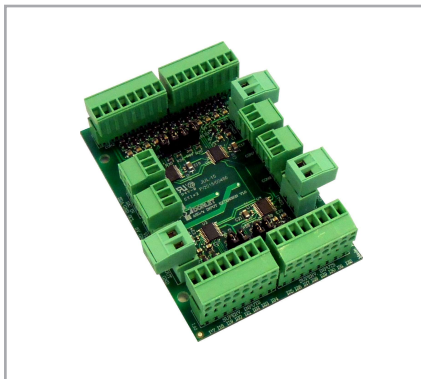
10005002 V1.0.0.ENG

COD 14799400



## ▶ EXT. BOARD-32I (32 INPUTS)

## FEATURES



DORLET ASD/1, ASD/2 and ASD/4 controllers can have their inputs and outputs extended thanks to input/output extension boards.

These boards can be connected to the ASD using a I2C communications bus and they receive their power supply from the ASD board itself.

You can connect an input board (AMP-32E) and/or an output board (AMP-24S) to each controller. These extensions disable the existing inputs of the controller having a maximum number of 32 inputs per controller. The digital inputs for access control (button, magnetic contact etc.) and locking outputs are kept.

The boards are supplied in a separate box to the controllers, or placed together in the CPU box according to the needs of the customer.

- Extension board for ASD series controllers with 32 supervised inputs.

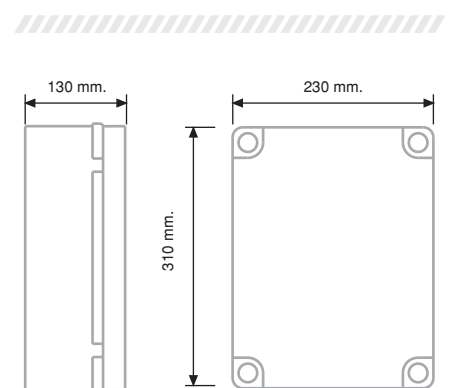
- 32 general purpose supervised inputs (with idle detection, alarm, short circuit, open circuit, antimasking and fault sensor), 8 of which are analogue-configurable.

- Direct connection to ASD controller, power supplied from controller.

## ▶ TECHNICAL SPECIFICATIONS

Dimensions:	100 x 67 x 30 mm.
Box dimensions*:	310 x 230 x 130 mm.
Power supply:	5 VDC.
Communications:	I2C Bus.
Supervised digital inputs:	32 inputs.
Inputs configurable as analogue:	8 inputs.
Outputs per relay:	N/A.
Outputs per open collector:	N/A.

\* NOTE: the box dimensions are supplied separately from the CPU.



The information contained in this document is subject to change without prior warning. Nothing in this document may be interpreted as an additional warranty. DORLET S.A. does not accept responsibility for any errors or technical or editorial omissions contained in this document.