

WALL PROXIMITY READER

MIFARE PROXIMITY READER WITH READ/WRITE CAPABILITY

COD 14025000



WALL PROXIMITY READER



MIFARE proximity card reader/recorder with read/write capability. This reader allows the CSN (Chip Serial Number) of the card to be read, as well as read/write operations of data in the card memory. Access to this data can be gained through a cryptographic password for a securer data processing. This reader is especially appropriate for installations with the DOC system

(Dorlet On Card). It can be used both as a stand-alone access point and as an on-line synchronism point.

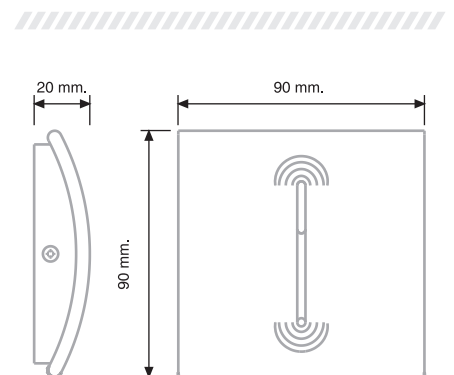
Designed to mount directly to European size single-gang electrical back boxes.

TECHNICAL SPECIFICATIONS

Dimensions:	90 x 90 x 20 mm.
Material:	Polycarbonate plastic
Finish:	Grey (RAL 9006)
Reading mode:	Proximity MIFARE
Reading frequency:	13,56 Mhz.
Reading range (reading/writing)	Up to 5 cm (3 cm).
Writing possibility:	Yes
Power supply:	5 VDC.
Maximum consumption:	125 mA
Operating range:	from -10° to 55°
Signalling:	Red LED, green LED, buzzer
Protection:	Apt for outdoor installations
Connections:	4 wires (4x0.22 mm shielded)

CHARACTERISTICS

- Made with high-strength polycarbonate plastic with stainless steel base.
- Highly intuitive interface based on LEDs of different colours: red and green, as well as via the buzzer.
- Can be installed both indoors and outdoors.
- The proximity technology available is MIFARE ISO14443A (13.56MHz) with read/write capacity on card.
- It also allows the CSN of MIFARE ULTRALIGHT, DESFIRE, DESFIRE EV1 cards to be read.
- Recommended both for access control installations with centralised operation and with DOC operation (Dorlet On Card).
- Designed to mount directly to European size single gang electrical back boxes.
- Connectable to any DORLET access control CPU of the AS, SB and AHS series.
- Can be connected at a maximum distance of 30 metros from the CPU.



La información contenida en este documento está sujeta a cambios sin previo aviso. Nada de lo contenido en el presente documento podrá ser interpretado como una garantía adicional. DORLET S.A. no se responsabiliza de los errores u omisiones técnicas o editoriales que pueda contener el presente documento.